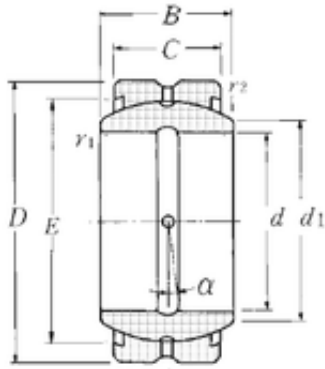




NTN Bearing Machinery Co., Ltd

80 mm x 120 mm x 55 mm NTN SA1-80B plain bearings



Bearing No. SA1-80B

Size	80x120x55 mm
Bore Diameter	80 mm
Outer Diameter	120 mm
Width	55 mm
d	80 mm
D	120 mm
B	55 mm
C	45 mm
d1	89,4 mm
r1 min.	1 mm
r2 min.	1 mm
E	104,6 mm
Angle	6 °
Weight	2,29 Kg
Category	Plain Bearings
Inventory	0.0
Manufacturer Name	NTN
Minimum Buy Quantity	N/A
Weight / Kilogram	2.21
EAN	4547359180398
Product Group	B04264

SA1-80B Bearing 2D drawings and 3D CAD models