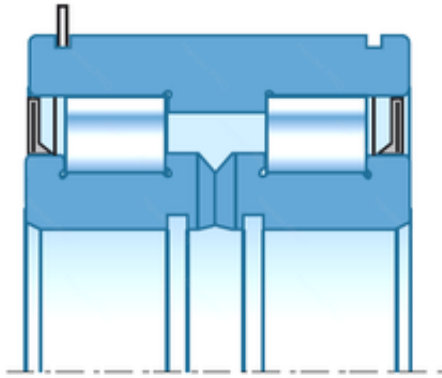




NTN Bearing Machinery Co., Ltd

60,000 mm x 85,000 mm x 98,000 mm NTN
SL15-912D2 cylindrical roller bearings



Bearing No. SL15-912D2

Size	60x85x98 mm
Bore Diameter	60,000 mm
Outer Diameter	85,000 mm
Width	98,000 mm
d	60,000 mm
D	85,000 mm
B	98,000 mm
C	98,000 mm

SL15-912D2 Bearing 2D drawings and 3D CAD models